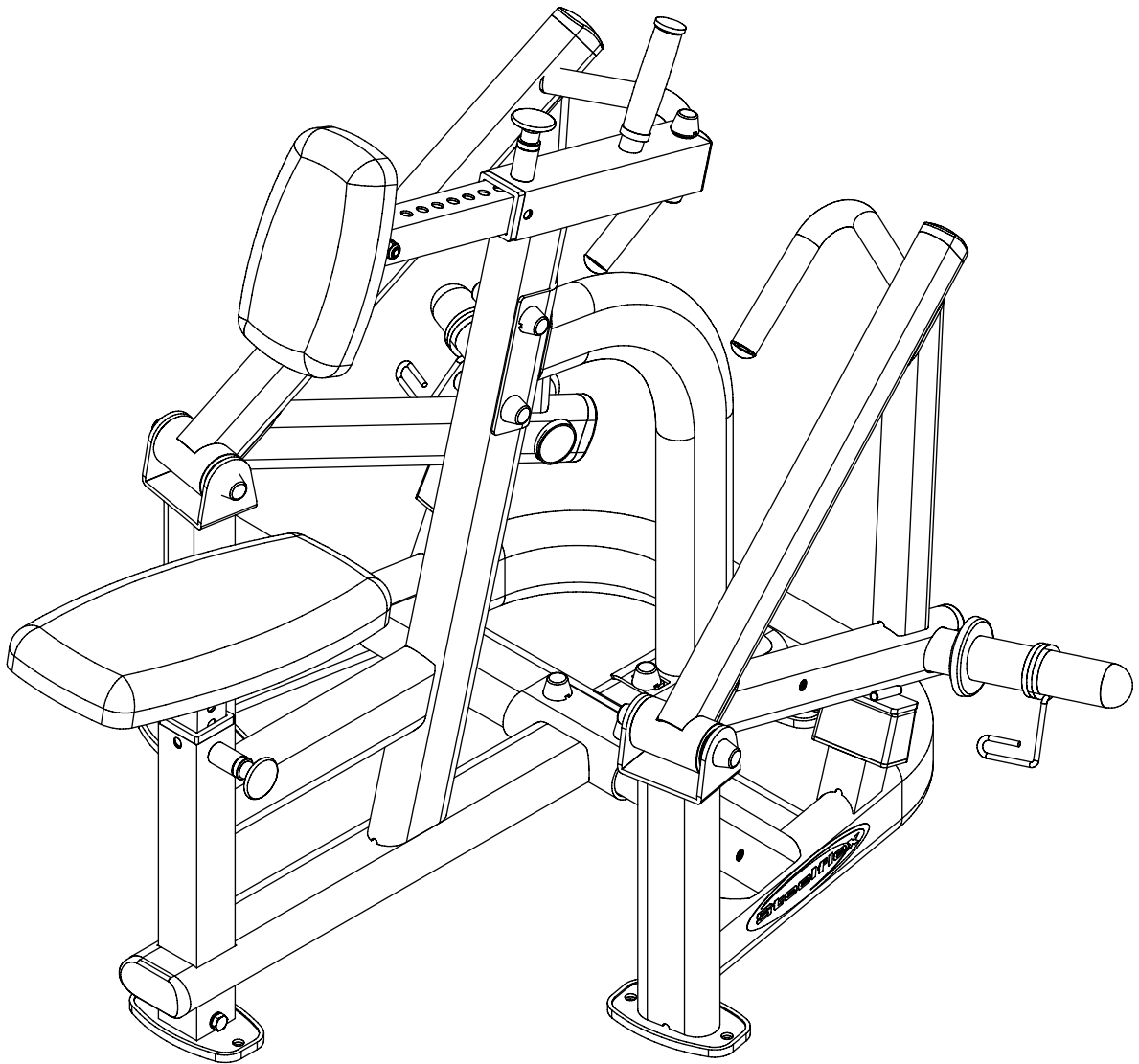


PLSR

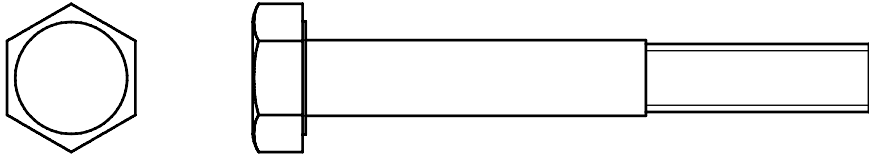


Assembly & Instructions
OWNER'S & MANUAL

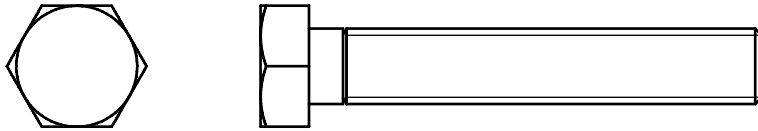
PLSR HARDWARE

(shown in actual size)

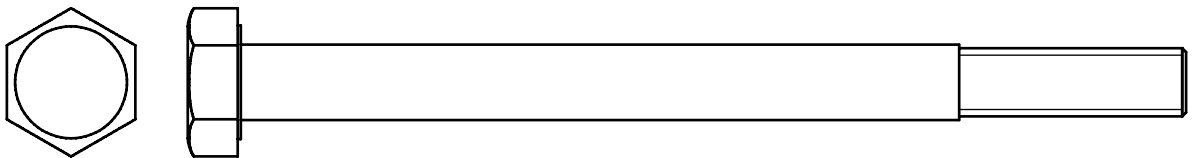
A1. M10x75 HEX HEAD SCREW...8PCS (Pre-installed 2PCS)



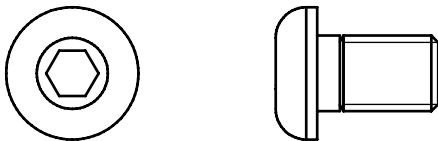
A2. M10x60 HEX HEAD SCREW...2PCS



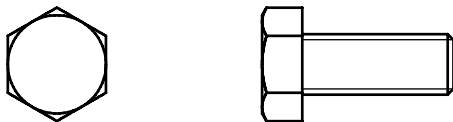
A3. M10x125 HEX HEAD SCREW...2PCS



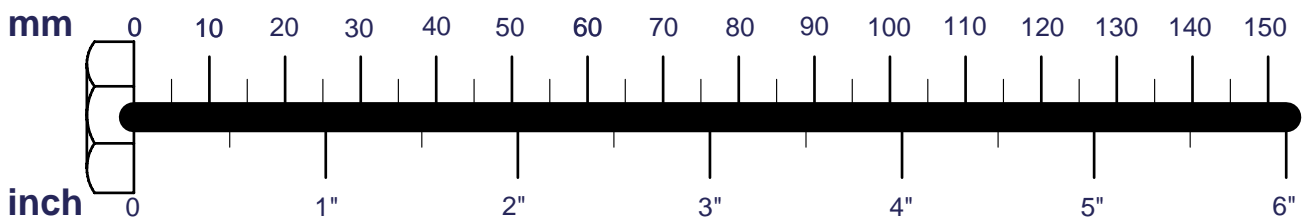
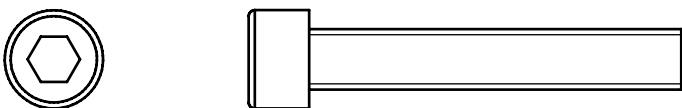
A4. M10x16 ALLEN SCREW(FULL THREAD)...2PCS (Pre-installed)



A5. M8x25 HEX HEAD SCREW...8PCS



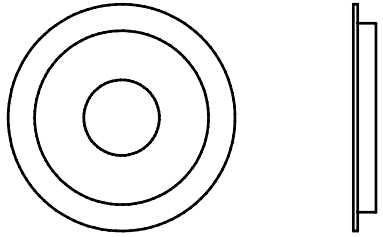
A6. M8x50 SOCKET SCREW(FULL THREAD)...4PCS



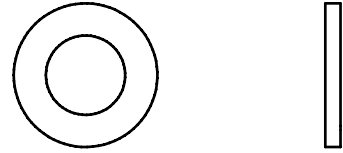
PLSR HARDWARE

(shown in actual size)

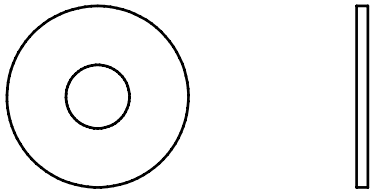
C1. M10 PLATE WASHER(Ø30)...18PCS
(Pre-installed 2PCS)



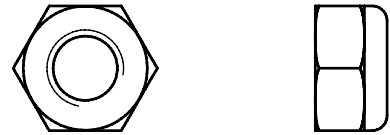
C3. M10 WASHER(Ø19)...4PCS (Pre-installed)



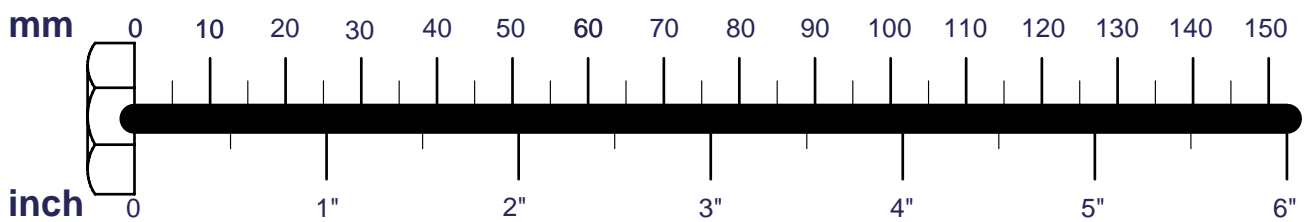
C4. M8 WASHER(I.D)...8PCS



B1. M10 NYLON LOCK NUT...12PCS
(Pre-installed 2PCS)

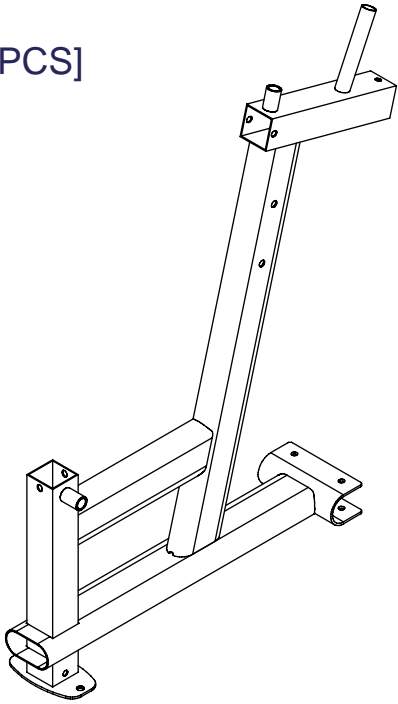


C5. M8 SPRING WASHER...8PCS

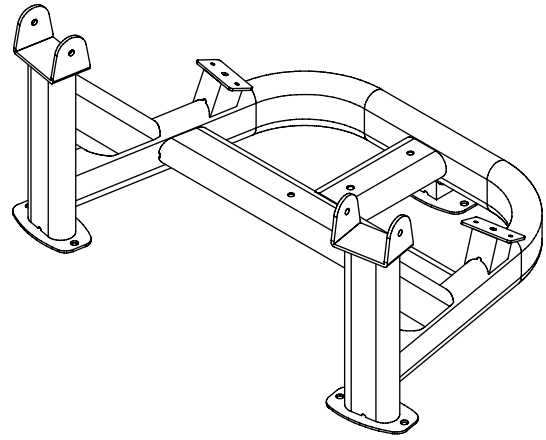


PLSR PARTS

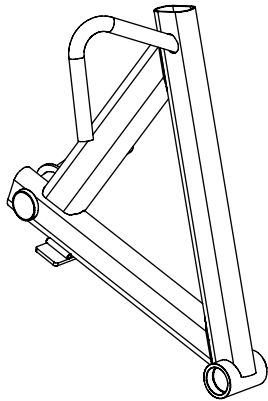
A [1PCS]



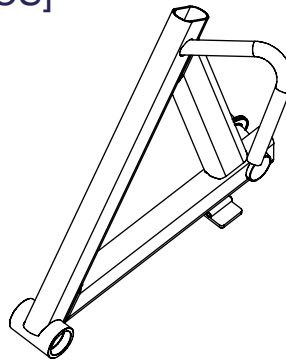
B [1PCS]



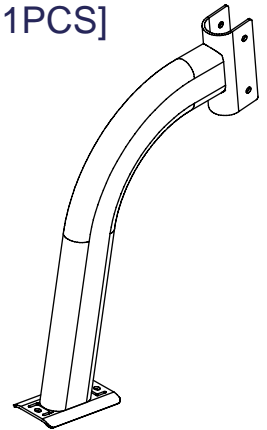
C [1PCS]



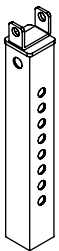
D [1PCS]



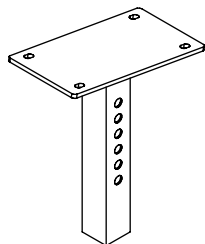
E [1PCS]



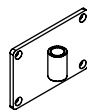
F [1PCS]



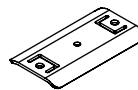
G [1PCS]



H [1PCS]



J [1PCS]
8323-188



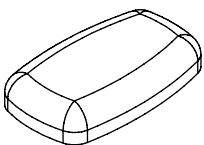
L [1PCS]
8830-022
(Pre-installed)



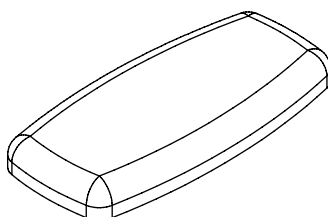
K [1PCS]
8830-024
(Pre-installed)



N [1PCS]
9111-073



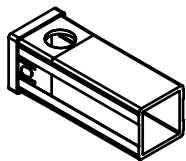
M [1PCS]
9121-078



PLSR PARTS

D1. Nylon Bushing (9211-047)	[2PCS]
D2. Ø50 End Cap (9211-074)	[2PCS]
D3. CONVEX END DAP (9211-092)	[1PCS]
D4. 40x80 End Cap (9211-113) Pre-installed	[4PCS]
D5. 50x100 END CAP (9211-114)	[1PCS]
D6. Rubber Dount (9310-016)	[2PCS]
D7. Rubber Insert (9310-076)	[4PCS]
D8. Block Rubber (9310-077)	[2PCS]
D9. Pinch Cock (OC-06)	[2PCS]
D10.PULLEY SPACER (8120-082) pre-installed	[4PCS]
D11. Bearing (8510-020) pre-installed	[4PCS]
D12. Foam Grip (9162-101) pre-installed	[2PCS]
D13. ROUND END CAP (9260-021) pre-installed	[2PCS]
D14. 1/2"X38L POP PIN (8250-065G) pre-installed	[2PCS]
D15. Shaft (8260-048) pre-installed	[1PCS]
D16. OILITE BUSHING (8520-001) pre-installed	[2PCS]
D17. Gripe (9212-016) pre-installed	[1PCS]
D18. Cap Sleeve (9212-026)	[18PCS]
D19. Ø50 End Cap (9211-020)	[2PCS]
D20.PULLEY SPACER 5/8OD X3/8" X5/8"L(8530-009).....	[4PCS]
D21.PULLEY SPACER(8110-079) pre-installed.....	[2PCS]

D1



D2



D3



D4



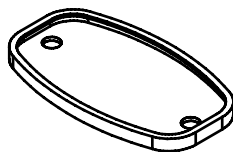
D5



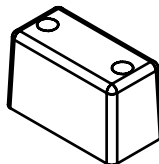
D6



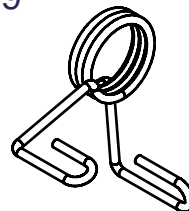
D7



D8



D9



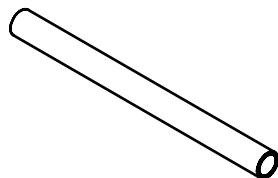
D10



D11



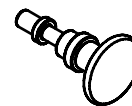
D12



D13



D14



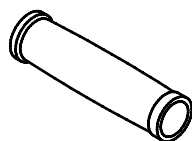
D15



D16



D17



D18



D19

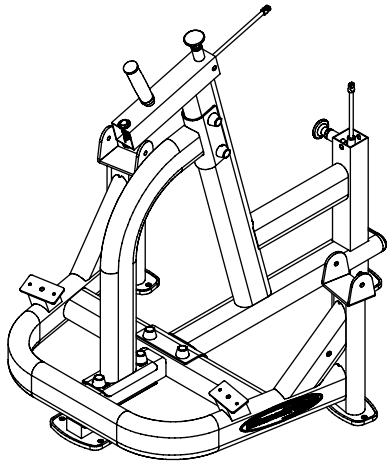


D20

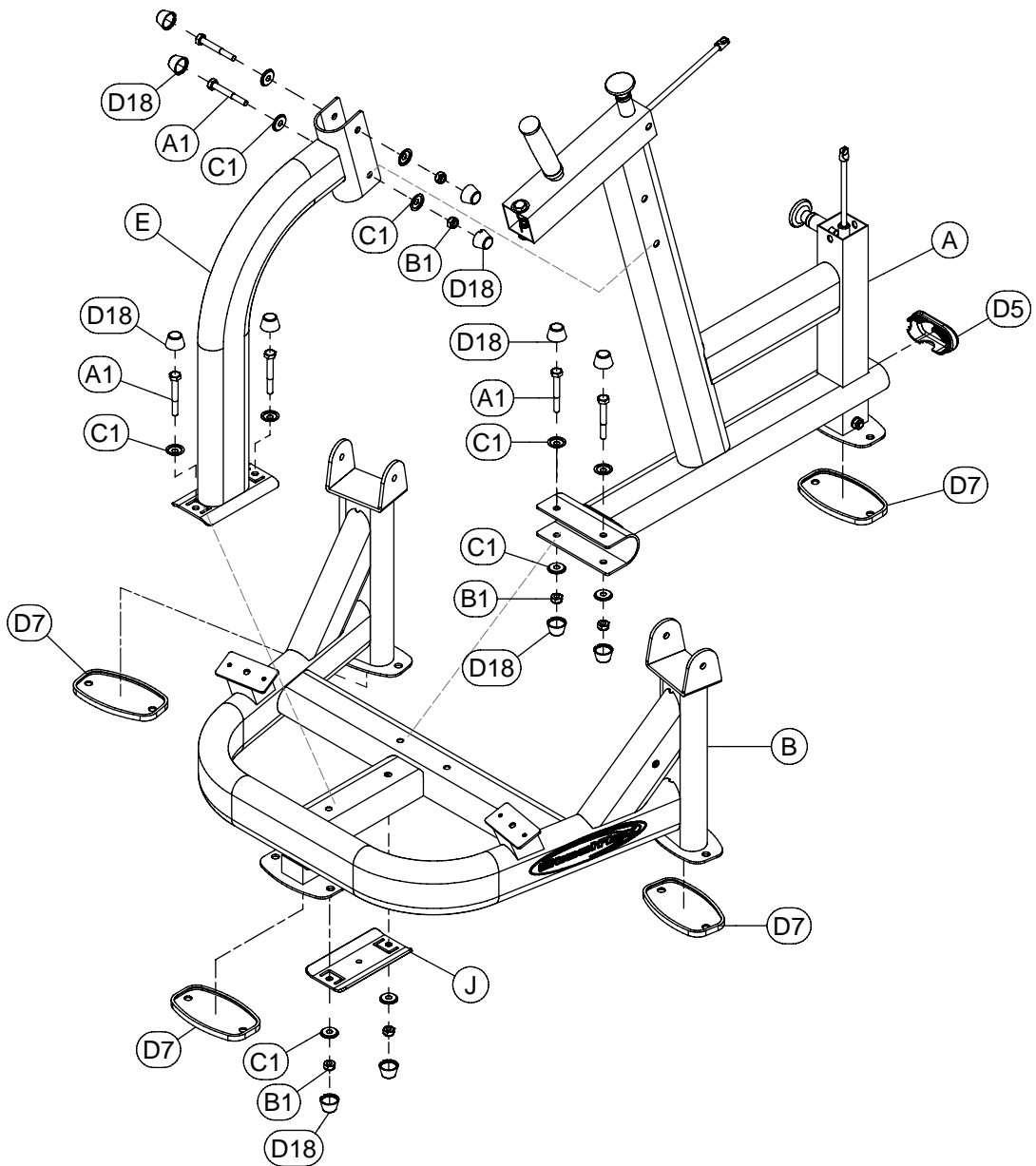


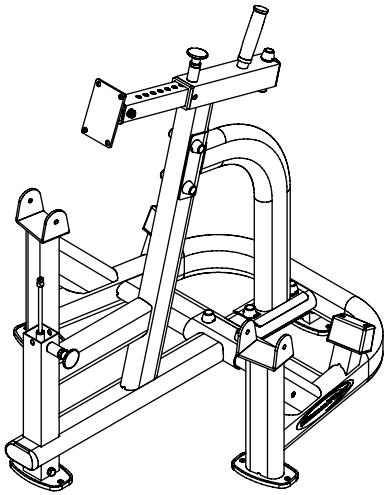
D21



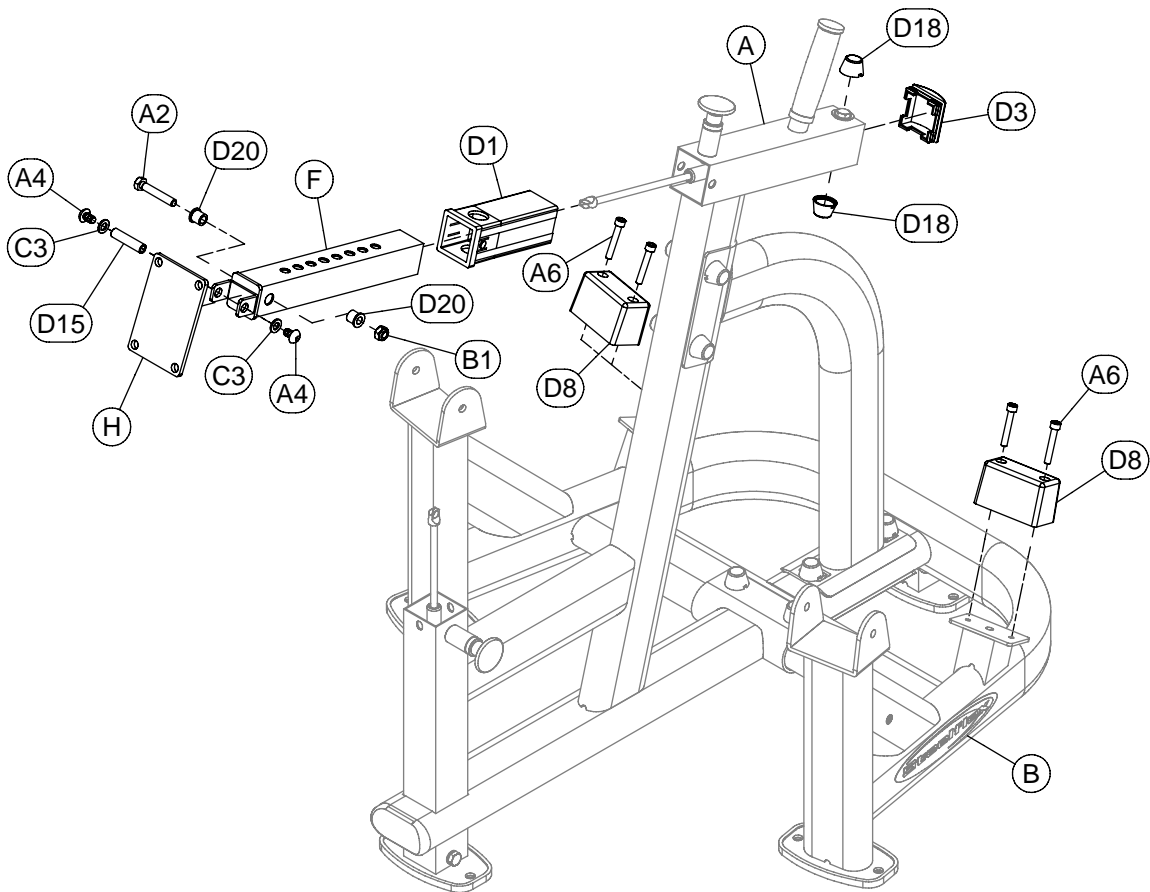


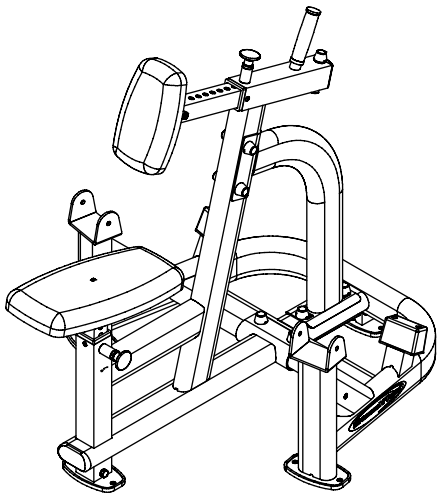
Above shows STEP 1 assembled and completed



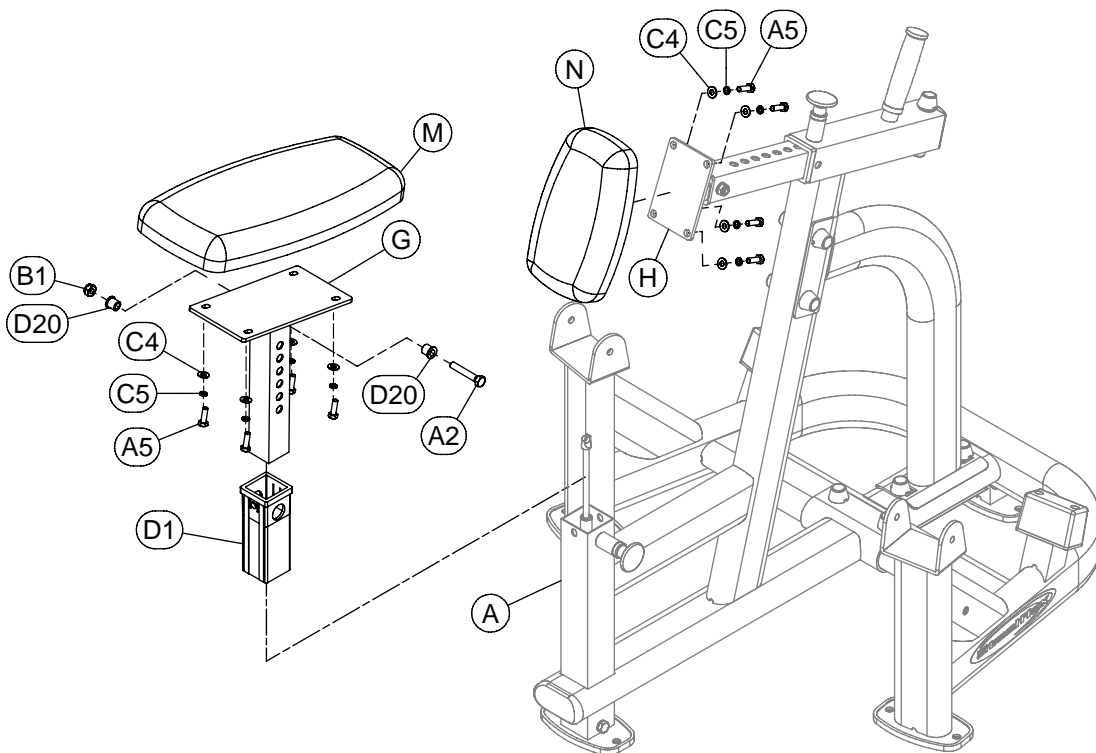


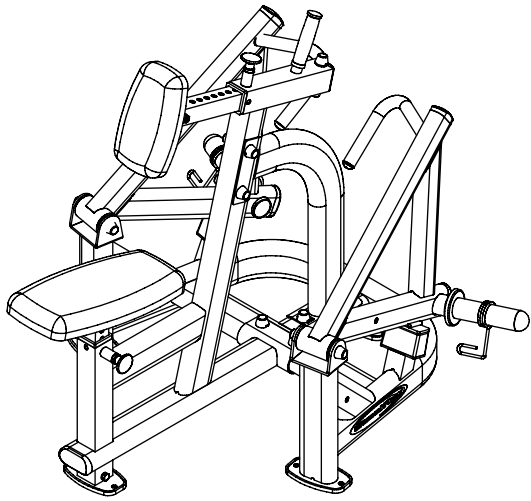
Above shows STEP 2 assembled and completed



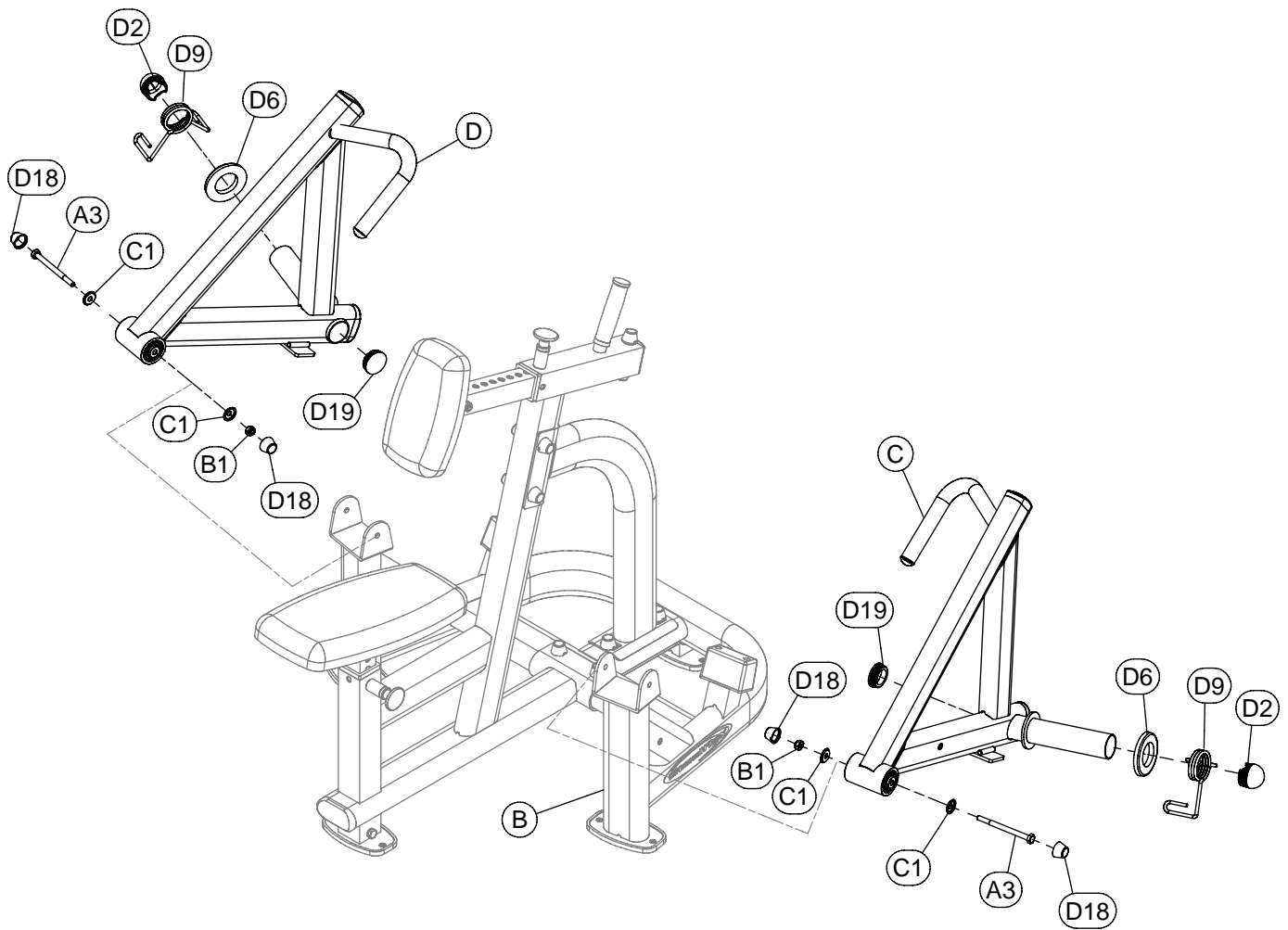


Above shows STEP 3 assembled and completed





Above shows STEP 4 assembled and completed



PLSR

Exploded View

